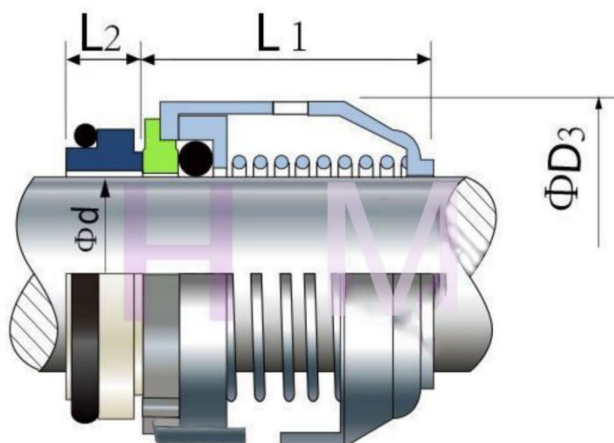


HMGR-G4(12mm)



Type: Suit for GRUNDFOS ,SARLIN,HIG
 HIGLE, INOXPA and JABSO pumps series
 Replacement: Equivalent with Grundfos type A seals
 ,Lidering GR-A12
 Temperature : -20°C to +180°C
 Pressure : ≤1.2Mpa
 Speed : ≤10m/s
 Material : A,B,Q1,Q2,U1,U2,P,E,V,F,G



d (mm)	D3	L2+L2
12	29	40.0
16	36	38.6