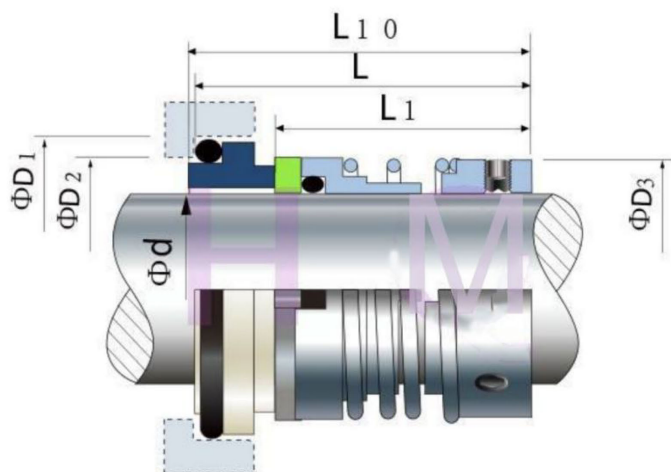


# HMGR-G5



Type: Suit for CNP-CDL Pumps  
 Temperature:  $-20^{\circ}\text{C}$  to  $+180^{\circ}\text{C}$   
 Pressure :  $\leq 1.2\text{Mpa}$   
 Speed:  $\leq 10\text{m/s}$   
 Material : A,B,Q1,Q2,U1,U2,P,E,V,F,G



d (mm)	D1	D2	D3	L	L1	L10
12	23	19	22	39.0	31.0	40.5
16	27	23	26	40.5	32.5	41.5