

# HMGR-G6



Type: Suit for CM CME1,3,5,10,15,25  
and CMV Series Pumps

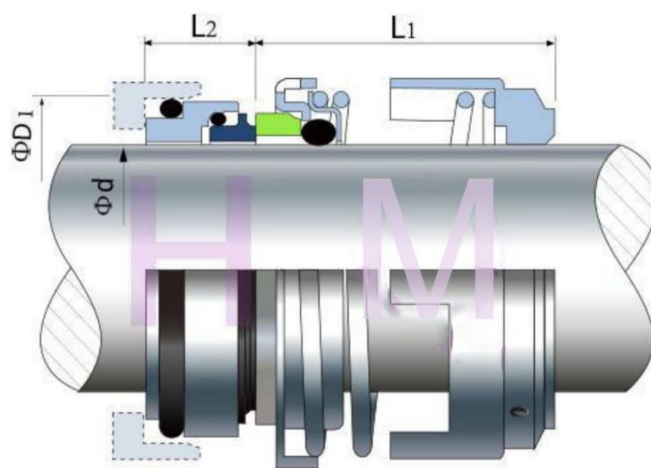
Replacement: Lidering GR-A-LG-22

Temperature: -20°C to +180°C

Pressure :  $\leq 1.2$ Mpa

Speed:  $\leq 10$ m/s

Material : A,B,Q1,Q2,U1,U2,P,E,V,F,G



d (mm)	D1	L1	L2
22	38.3	50.5	15.5