

HMGR-G18(MG12S/B012G)



Type: Suit for Grundfos PT,NP5,LPD,NP,LP

Replacement: Grundfos type G, Vulcan 192 G,

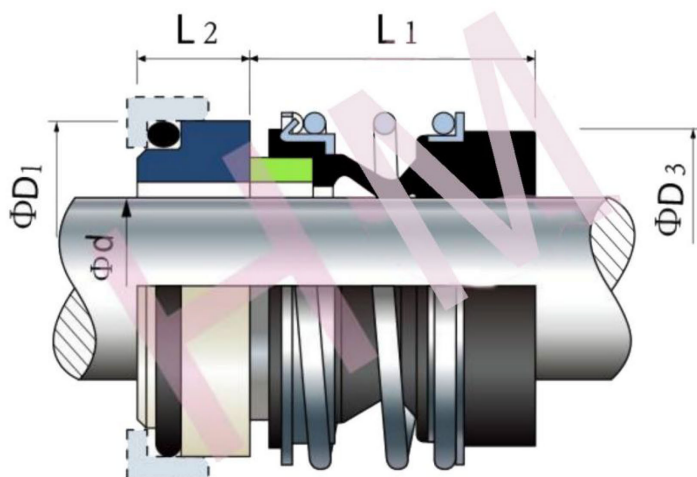
Burgmann MG12S , AES B012G

Temperature : -20°C to +180°C

Pressure: ≤ 1.2 Mpa

Speed: ≤ 10 m/s

Material : A,B,Q1,Q2,U1,U2,P,E,V,F,G



d (mm)	D1	D3	L1	L2
12	23	24	25.9	15.0
16	27	28	28.4	12.3
22	37	36	30.0	11.1
33	48	51	35.0	7.5