

HMGR-G24



Type : Elastomeric bellows mechanical seal, Suit for Grundfos, Hilge Pumps

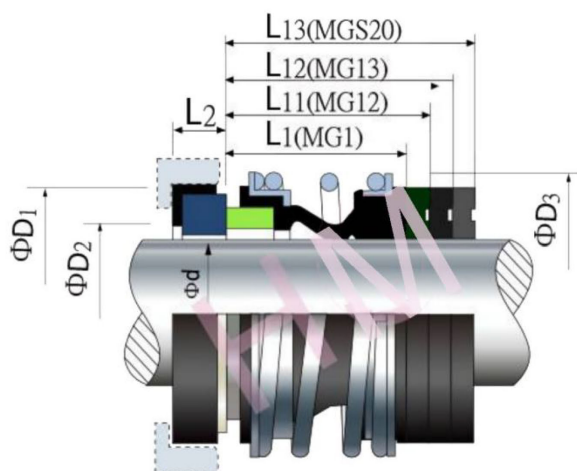
Replacement: Burgmann MG1/12/13/S20, AES B02/B012/B01, Vulcan 191/192/193, Roten L3/L3K/L3N, Flowserve 190/192/193

Temperature: -20°C to +120°C

Pressure : ≤ 1.2 Mpa

Speed: ≤ 10 m/s

Material : V, Q1, Q2, U2, U1, B, A, P, E, V, F, G



Siz (mm)	d	D3	D2	D1	L1	L1 1	L1 2	L1 3	L2
10	10	22.5	17	21	14.5	25.9	33.4	25	6.6
12	12	25.0	19	23	15.0	25.9	33.4	25	6.6
14	14	28.5	21	25	17.0	28.4	33.4	25	6.6
15	15	28.5	-	-	17.0	28.4	33.4	25	-
16	16	28.5	23	27	17.0	28.4	33.4	25	6.6
18	18	32.0	27	33	19.5	30.0	37.5	25	7.5
19	19	37.0	-	-	21.5	30.0	37.5	25	-
20	20	37.0	29	35	21.5	30.0	37.5	25	7.5
22	22	37.0	31	37	21.5	30.0	37.5	25	7.5
24	24	42.5	33	39	22.5	32.5	42.5	25	7.5
25	25	42.5	34	40	23.0	32.5	42.5	25	7.5
28	28	49.0	37	43	26.5	35.0	42.5	33	7.5
30	30	49.0	39	45	26.5	35.0	42.5	33	7.5
32	32	53.5	42	48	27.5	35.0	47.5	33	7.5
33	33	53.5	42	48	27.5	35.0	47.5	33	7.5
35	35	57.0	44	50	28.5	35.0	47.5	33	7.5