

HMGR-G23(81)



Type : O-Ring mounted conical spring seals with positive drive.

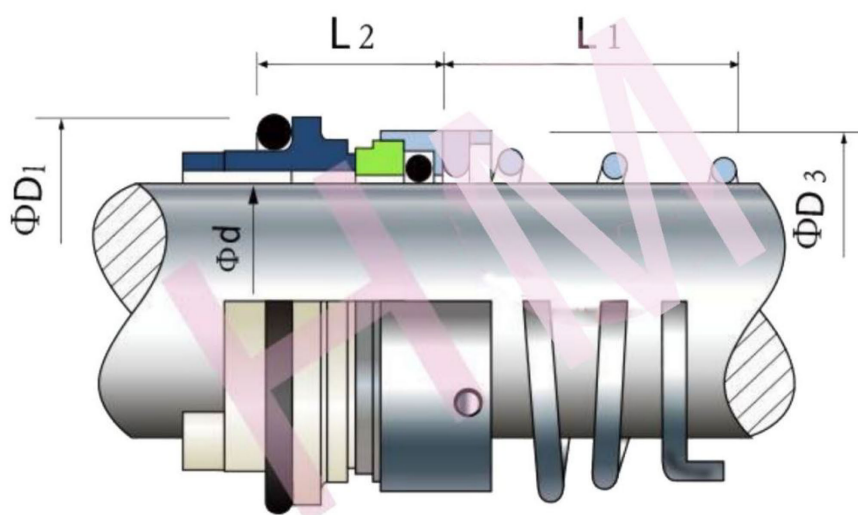
Replacement: Vulcan 81 , Billi BB30U , Suit for Grundfos S- Sereis Pumps

Temperature: -20°C to +180°C

Pressure: $\leq 1.2\text{Mpa}$

Speed: $\leq 10\text{m/s}$

Material : A,B,Q1,Q2,P,E,V,F,G



d (mm)	D1	D3	L1	L2
25	38	36	26.5	10.0
32	48	46	28.5	11.0
38	55	53	33.5	11.5