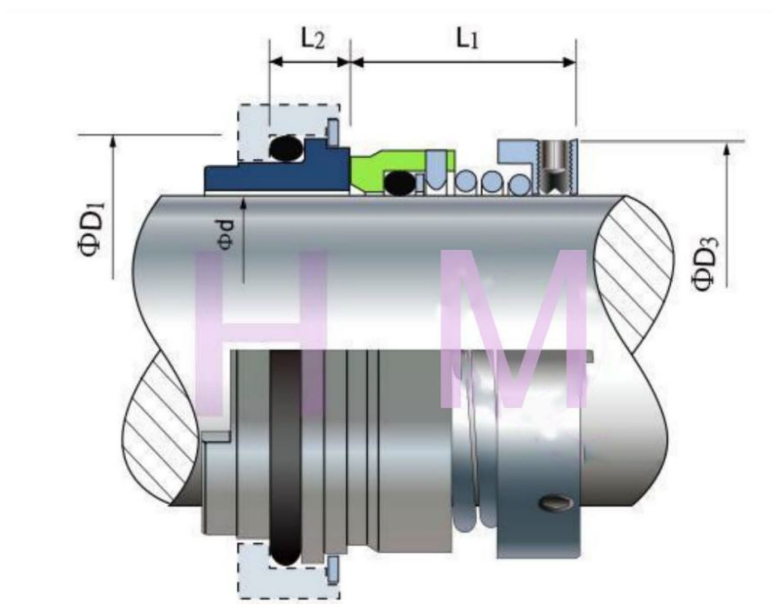


HMGR-G19(T01SA)



Type: Lower Seal to Suit for Sarlin Pumps series
 Replacement: AES T01SA, Buegmann M337S11
 Temperature: -20°C to $+180^{\circ}\text{C}$
 Pressure: $\leq 1.2\text{Mpa}$
 Speed: $\leq 10\text{m/s}$
 Material: A,B,Q1,Q2,U1,U2,P,E,V,F,G



d (mm)	D1	D3	L1	L2
32	48	50	37.6	11