

HMGR-G25



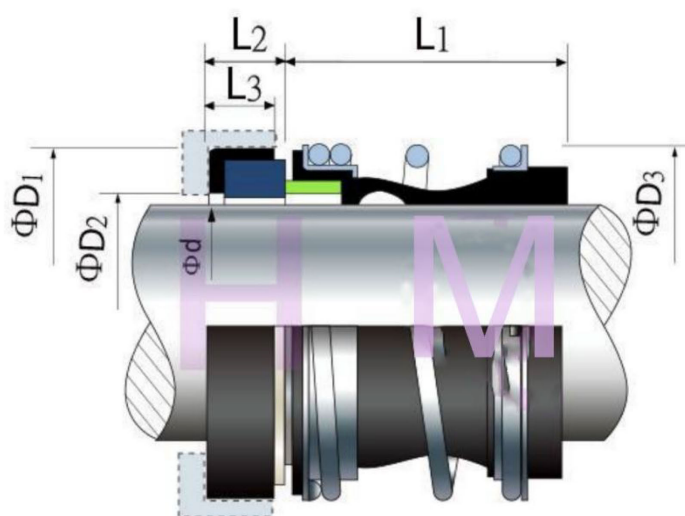
Type : Elastomeric bellow mechanical seal
 Replacement: Vulcan1520(Metric) , AES BP02 ,
 BURGMANN MG1S20 , Crane 2(N
 Seat) , Flowserve150

Temperature: -40°C to +150°C

Pressure : ≤ 1.2 Mpa

Speed : ≤ 15 m/s

Material : V,Q1,Q2,U2,U1,B,A,P,E,V,F,G



Size (mm)	D1	D2	D3	L1	L2	L3
10	24.60	16.00	20	25.40	8.74	7.47
12	27.79	19.05	22	25.40	8.74	7.47
13	27.79	19.05	22	25.40	8.74	7.47
14	30.95	22.23	24	25.40	10.32	8.97
15	30.95	22.23	25	25.40	10.32	8.97
16	30.95	22.23	26	25.40	10.32	8.97
18	34.15	25.40	32	25.40	10.32	8.97
19	34.15	25.40	32	25.40	10.32	8.97
20	35.70	26.99	34	25.40	10.32	8.97
22	37.30	28.58	36	25.40	10.32	8.97
24	40.50	31.75	38	25.40	10.32	8.97
25	40.50	31.75	39	25.40	10.32	8.97
28	47.63	35.72	42	33.34	11.99	10.46
30	50.80	38.89	44	33.34	11.99	10.46
32	50.80	38.89	46	33.34	11.99	10.46
33	53.98	42.07	47	33.34	11.99	10.46
34	53.98	42.07	49	33.34	11.99	10.46
35	53.98	42.07	49	33.34	11.99	10.46