

## HMGR-G26(196-22mm)



Type: Elastomer bellow seals with special profile  
boot mounted seats

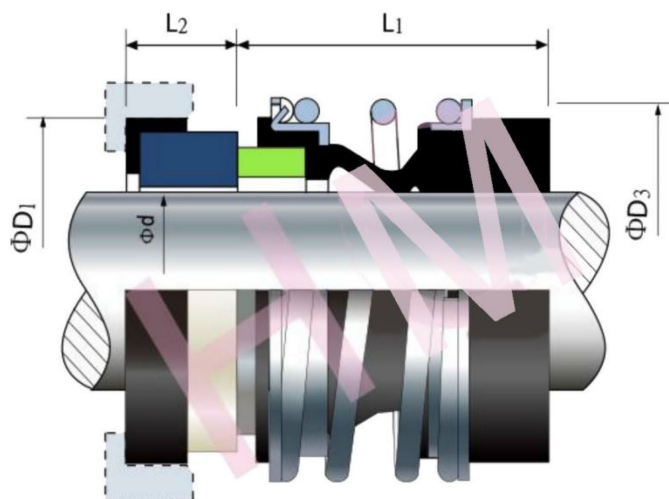
Replacement: Vulcan 196 22mm , Suit for Grundfos LM,  
LP , LPD , LPE Pumps

Temperature: -20°C to +180°C Pressure:

Pressure:  $\leq 1.2\text{Mpa}$

Speed:  $\leq 10\text{m/s}$

Material : A,B,Q1,Q2,U1,U2,P,E,V,F,G



d (mm)	D1	D3	L1	L2
22	37	36	33	12