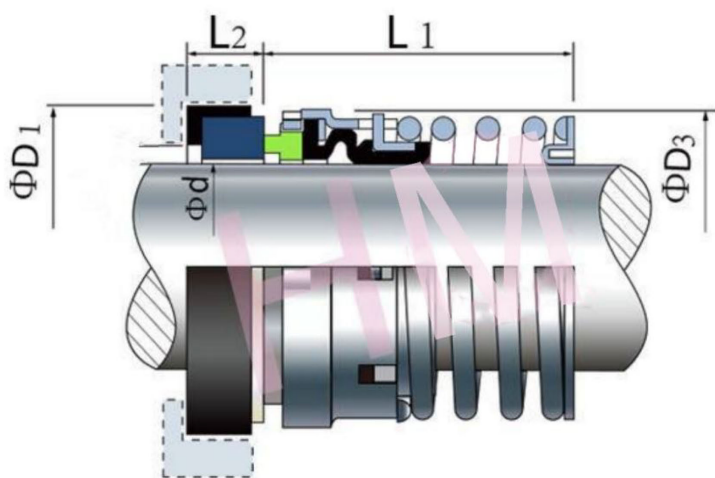


# HMGR-G27



Type: Elastomer Bellow Mechanical Seal  
 Replacement: Vulcan A5, Crane 1+Vulcan 11  
 Temperature: -20°C to +120°C  
 Pressure:  $\leq 1.4\text{Mpa}$   
 Speed:  $\leq 10\text{m/s}$   
 Material: B, Q2, U2, P, E, N, V, F, G, Alfa



d (inch)	D1		D3		L1		L2	
	mm	inch	mm	inch	mm	inch	mm	inch
0.500	25.40	1.000	23.80	0.937	30.16	1.187	7.93	0.312
0.625	31.75	1.250	27.76	1.093	33.32	1.312	10.28	0.405
0.750	34.93	1.375	30.94	1.218	33.32	1.312	10.28	0.405
0.875	38.10	1.500	34.11	1.343	34.93	1.375	10.28	0.405
1.000	41.28	1.625	38.10	1.500	39.67	1.562	11.10	0.437
1.125	44.44	1.750	41.28	1.625	41.28	1.625	11.10	0.437
1.250	47.63	1.875	46.02	1.812	41.28	1.625	11.10	0.437
1.375	50.80	2.000	48.68	1.917	42.85	1.687	11.10	0.437
1.500	53.98	2.125	51.85	2.041	42.85	1.687	11.10	0.437
1.625	60.38	2.375	58.10	2.287	50.80	2.000	12.70	0.500
1.750	63.50	2.500	61.27	2.412	50.80	2.000	12.70	0.500
1.875	66.68	2.625	64.44	2.537	53.98	2.125	12.70	0.500
2.000	69.85	2.750	67.21	2.646	53.98	2.125	12.70	0.500
2.125	76.20	3.000	72.02	2.835	60.33	2.375	14.28	0.562
2.250	79.38	3.125	75.30	2.965	60.33	2.375	14.28	0.562
2.375	82.55	3.250	78.30	3.083	63.50	2.500	14.28	0.562
2.500	85.73	3.375	81.54	3.210	63.50	2.500	14.28	0.562