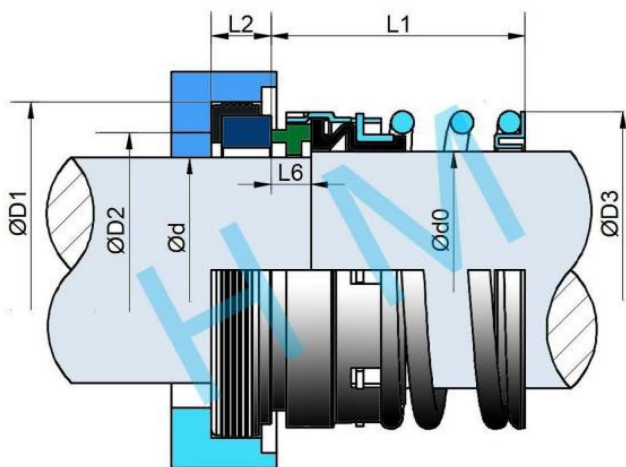


HMGR-G29



Type: Elastomeric bellows mechanical seal
 Suit for Grundfos, Hilge Pumps
 Replacement: Crane 1B+ Vulcan 11
 Temperature: -20°C to +120°C
 Pressure: $\leq 1.4\text{Mpa}$
 Speed: $\leq 10\text{m/s}$
 Material: B,A1,Q1,Q2,U2,P,E,N,V,F,G,Alfa



Size (Inch)	d0	D1	D2	D3	L1	L2	L6
1.000	25.4	41.28	33.32	38.10	47.63	11.10	8.70
1.125	28.5	44.44	36.50	41.28	49.20	11.10	8.70
1.250	31.7	47.63	39.70	46.02	49.20	11.10	8.70
1.375	34.9	50.80	42.84	47.63	50.80	11.10	8.70
1.500	38.1	53.98	46.05	50.80	50.80	11.10	8.70
1.625	41.2	60.33	50.80	57.15	60.33	12.70	11.10
1.750	44.4	63.50	53.97	60.33	60.33	12.70	11.10
1.875	47.6	66.68	57.15	63.50	63.50	12.70	11.10
2.000	50.8	69.85	60.32	66.68	63.50	12.70	11.10
2.125	53.9	76.20	60.32	71.42	69.85	14.27	12.70
2.250	57.1	79.38	61.90	74.60	69.85	14.27	12.70
2.375	60.3	82.55	67.39	77.77	73.03	14.27	12.70
2.500	63.5	85.73	68.25	80.95	73.03	14.27	12.70