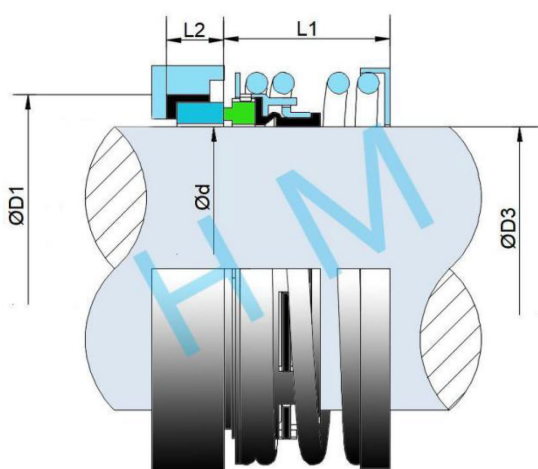


# HMGR-G28



Type : Elastomer Bellow Mechanical Seal  
 Replacement: Vulcan A4, Crane2+Vulcan11  
 Temperature: -20°C to +120°C  
 Pressure: ≤1.4Mpa  
 Speed: ≤10m/s  
 Material : B,A1,Q1,Q2,U2,P,E,N,V,F,G,Alfa



d( inch)	D1		D3		L1		L2	
	m m	inch	m m	inch	m m	inch	m m	inch
0.500	25.40	1.000	30.14	1.187	20.64	0.813	7.93	0.312
0.625	31.75	1.250	33.32	1.312	22.23	0.875	10.28	0.405
0.750	34.93	1.375	36.52	1.438	22.23	0.875	10.28	0.405
0.875	38.10	1.500	39.72	1.564	23.8	0.937	10.28	0.405
1.000	41.28	1.625	45.30	1.783	25.40	1.000	11.10	0.437
1.125	44.44	1.750	48.47	1.908	26.97	1.062	11.10	0.437
1.250	47.63	1.875	52.80	2.079	26.97	1.062	11.10	0.437
1.375	50.80	2.000	55.98	2.204	28.58	1.125	11.10	0.437
1.500	53.98	2.125	59.15	2.329	28.58	1.125	11.10	0.437
1.625	60.38	2.375	66.96	2.636	34.93	1.375	12.70	0.500
1.750	63.50	2.500	70.12	2.761	34.93	1.375	12.70	0.500
1.875	66.68	2.625	73.16	2.88	38.10	1.500	12.70	0.500
2.000	69.85	2.750	76.48	3.011	38.10	1.500	12.70	0.500
2.125	76.20	3.000	82.71	3.256	42.85	1.987	14.28	0.562
2.250	79.38	3.125	85.89	3.381	42.85	1.987	14.28	0.562
2.375	82.55	3.250	89.06	3.506	46.02	1.812	14.28	0.562
2.500	85.73	3.375	92.24	3.631	46.02	1.812	14.28	0.562