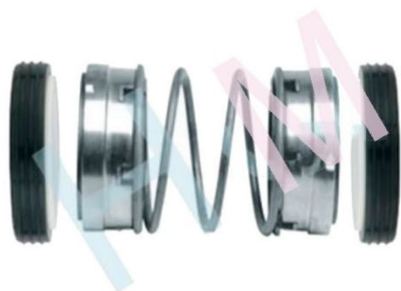
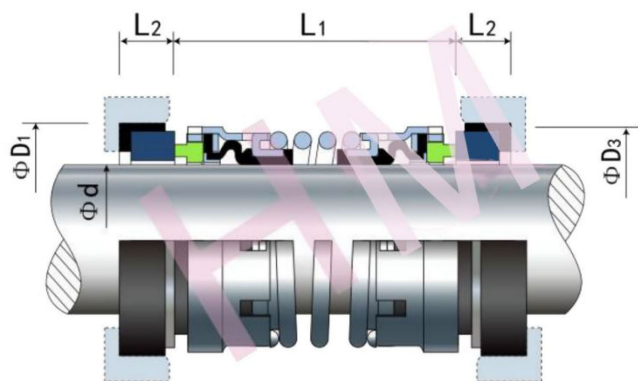


HMGR-G32

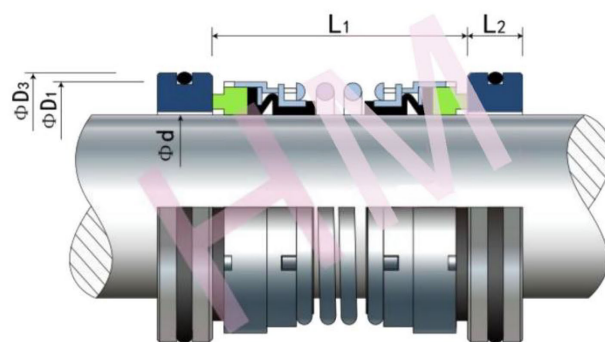


Type: Elastomer Bellows Mechanical Seal,
 Suit for Grundfos, Hilge Pumps
 Replacement: Crane 1 Double
 Temperature: -20°C to +120°C
 Pressure: ≤1.5Mpa
 Speed: ≤10m/s
 Material: B,A1,Q1,Q2,U2,P,E,N,V,F,G,Alfa

Cup Seat



O-Ring Seat



d (inch	D1	D3	L1	L2
0.875	1.406	1.500	2.000	0.406
1.000	1.500	1.625	2.312	0.437
1.125	1.625	1.750	2.375	0.437
1.250	1.812	1.875	2.375	0.437
1.375	1.875	2.000	2.437	0.437
1.500	2.000	2.125	2.437	0.437
1.625	2.250	2.375	2.875	0.500
1.750	2.375	2.500	2.875	0.500
1.875	2.500	2.625	3.000	0.500
2.000	2.625	2.750	3.000	0.500
2.125	2.812	3.000	3.375	0.562
2.250	2.937	3.125	3.375	0.562
2.375	3.062	3.250	3.500	0.562
2.500	3.187	3.375	3.500	0.562