

HMFR-G39

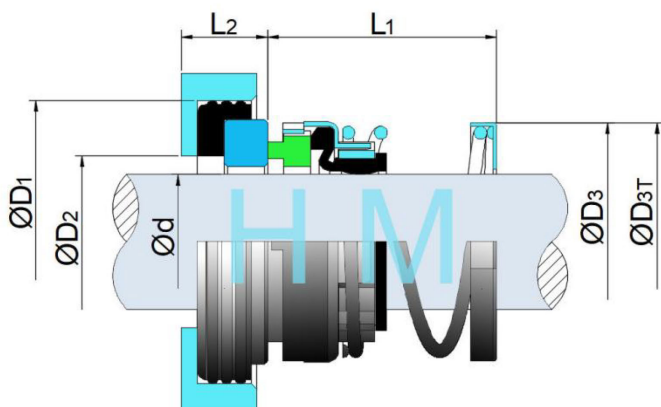
Type: Elastomeric bellows mechanical seal
 Replacement: AES P04/P04T, Crane 21, Vulcan 11,
 Roten 21A, Flowserve 110

Temperature: -20°C to +120°C

Pressure: $\leq 1.0\text{Mpa}$

Speed: $\leq 15\text{m/s}$

Material: V,Q1,Q2,U2,U1,B,A,P,E,V,F,G



Size (inch)	d	D3 (HM21)	D3T (HM21T)	D1	L1	L2
0.500	12.7	24.0	22.8	25.40	20.62	7.95
0.625	15.8	26.7	26.7	31.75	22.23	10.31
0.750	19.1	31.2	30.4	34.93	22.23	10.31
0.875	22.2	33.5	33.4	38.10	23.80	10.31
1.000	25.4	43.2	39.3	41.28	25.40	11.10
1.125	28.6	46.5	42.0	44.45	26.97	11.10
1.250	31.7	49.5	45.8	47.63	26.97	11.10
1.375	34.9	52.7	49.3	50.8	28.58	11.10
1.500	38.1	56.0	52.8	53.98	28.58	11.10
1.625	41.2	62.2	55.5	60.33	34.93	12.70
1.750	44.4	66.0	61.0	63.50	34.93	12.70
1.875	47.6	66.0	64.0	66.68	38.10	12.70
2.000	50.8	73.0	66.0	69.85	38.10	12.70
2.125	53.9	73.5	71.5	76.20	42.85	14.27
2.250	57.1	79.6	79.6	79.38	42.85	14.27
2.375	60.3	82.0	79.6	82.55	46.05	14.27
2.500	63.5	85.0	81.5	85.73	46.05	14.27
2.625	66.6	88.5	84.6	85.73	49.20	15.88
2.75	69.8	92.7	90.0	88.90	49.20	15.88
3.00	76.2	102.0	96.8	98.40	52.37	15.88