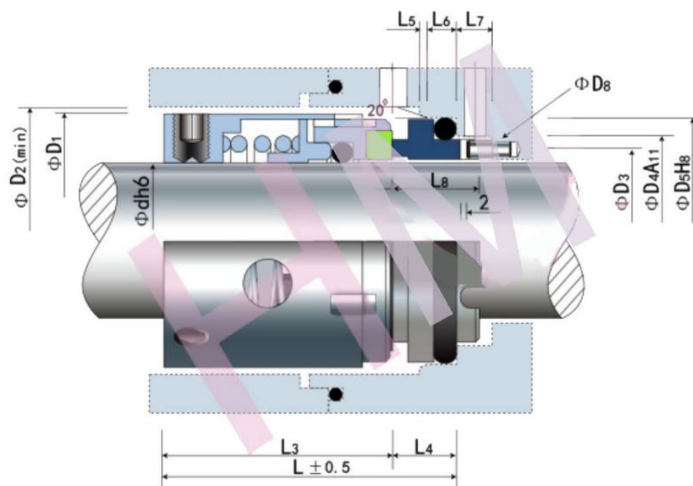


HM104

Type: O-Ring Mechanical Seal
 Temperature: -20 to +200°C
 Pressure: ≤1.0Mpa
 Speed: ≤20m/s
 Material: B,Q2,U2,P,E,N,V,F,G,Alfa



d (mm)	D1	D2	D3	D4	D5	D8	L	L3	L4	L5	L6	L7	L8
16	33	36	21	25	33	2	49	37	12	1.5	5.5	7	16
18	35	38	23	28	36	2	52	40	12	1.5	5.5	7	16
20	37	40	25	30	40	3	54	40	14	2.0	6.5	8	19
22	39	42	27	32	42	3	57	43	14	2.0	6.5	8	19
25	42	45	30	35	45	3	57	43	14	2.0	6.5	8	19
28	45	48	33	38	48	3	58	44	14	2.0	6.5	8	19
30	52	55	35	40	50	3	63	49	14	2.0	6.5	8	19
35	57	60	40	45	55	3	65	51	14	2.0	6.5	8	19
40	62	65	45	50	60	3	68	54	14	2.0	6.5	8	19
45	67	70	50	55	65	3	74	60	14	2.0	6.5	8	19
50	72	75	55	60	70	3	77	63	14	2.5	6.5	8	19
55	77	80	60	65	75	3	79	65	14	2.5	6.5	8	19
60	82	85	65	70	80	3	79	65	14	2.5	6.5	8	19
65	92	95	73	80	90	3	91	74	17	2.5	6.5	8	22
70	97	100	78	85	97	3	95	76	19	2.5	7.5	9	25
75	102	105	83	90	102	3	95	76	19	2.5	7.5	9	25
80	107	110	88	95	107	3	100	81	19	3.0	7.5	9	25
85	112	115	93	100	112	3	101	82	19	3.0	7.5	9	25
90	117	120	98	105	117	3	102	83	19	3.0	7.5	9	25
95	122	125	103	110	122	3	102	83	19	3.0	7.5	9	25
100	127	130	108	115	127	3	102	83	19	3.0	7.5	9	25
110	141	145	120	130	142	3	126	105	21	3.0	8.0	9	27
120	151	155	130	140	152	3	126	105	21	3.0	8.0	9	27