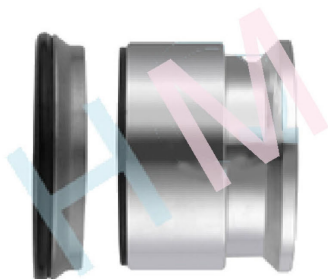
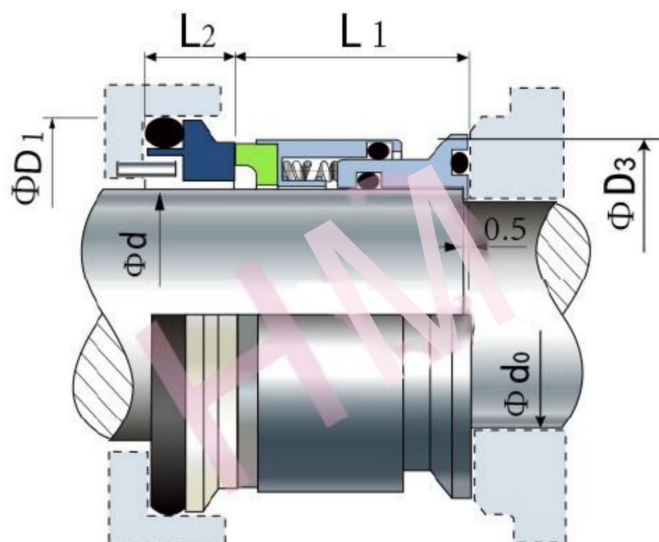


# HMHIL-01(M010S1)



Type: Suit for Grundfos, Hige Hygiana  
centrifugal Pumps  
Replacement: AES M010S1, Burgamnn SHJ97 , Vulcan  
1663 , Billi BB8H3, ROTEN EHS3  
Temperature: -40°C to +250°C  
Pressure:  $\leq 2.5$  Mpa  
Speed:  $\leq 15$  m/s  
Material: B, A1, Q1, Q2, U2, P, E, N, V, F, G



d (mm)	d0	D1	D3	L1	L2	Vulcan Code	O.E.M. Seal Code
28	24	48.0	43.0	34.5	10.5	1663	BS2-28 O1
38	35	57.1	52.8	35.0	10.5	1663	BS2-38 O1