

# HMGD-01(1653)



Type: Suit Godwin "DRI-PRIME"  
series pumps

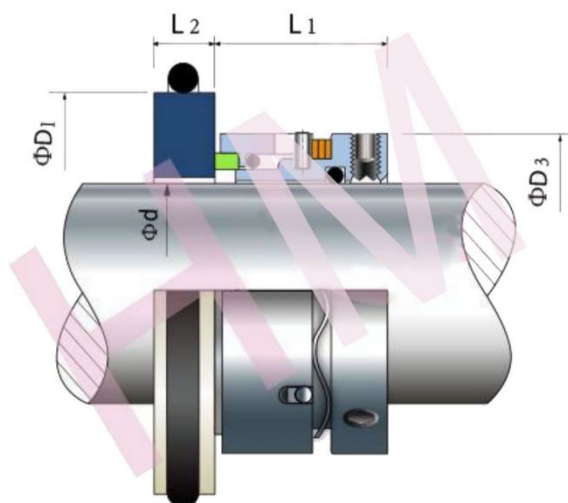
Replacement: Vulcan 1653

Temperature: -40°C to +205°C

Pressure:  $\leq 2.5$  Mpa

Speed:  $\leq 15$  m/s

Material : B,A1,Q1,Q2,U2,P,E,N,V,F,G



d (mm)	D1	D3	L1	L2
40	69.9	56	32	7.5
50	89.9	71	34	13.0