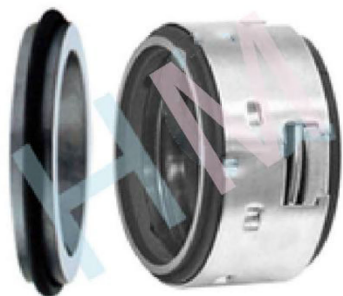
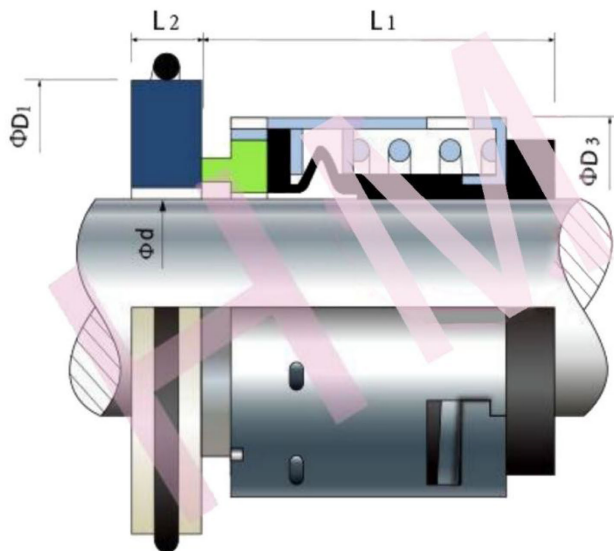


HMGD-03(1724P/1725P)



Type: Suit Godwin "DRI-PRIME" series pumps
 Replacement: Vulcan 1724P and 1725P, AES B07X
 Temperature: -40°C to $+200^{\circ}\text{C}$
 Pressure: $\leq 2.5\text{Mpa}$
 Speed: $\leq 15\text{m/s}$
 Material: B,A1,Q1,Q2,U2,P,E,N,V,F,G



| d (mm) | D1 | D3 | L1 | L2 | Vulcan Type |
|-----------|------|----|------|------|----------------|
| 40 | 69.9 | 56 | 32.0 | 7.35 | 1725P |
| 50 | 64.5 | 66 | 34.5 | 10.3 | 1724P |