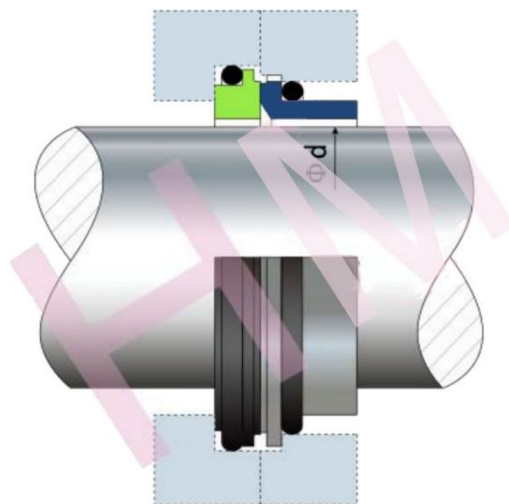


HMGD-05(MOGFPU)



Type: Suit for Godwin Fir Pumps
Replacement: AES MOGFPU
Temperature: -20 to +180°C
Pressure : ≤ 2.7 Mpa
Speed: ≤ 15 m/s
Material: B,Q2,U2,P,E,N,V,F,G,Alfa



Suit for Godwin Fire Pumps.

d=44.00mm, 1.732 inch