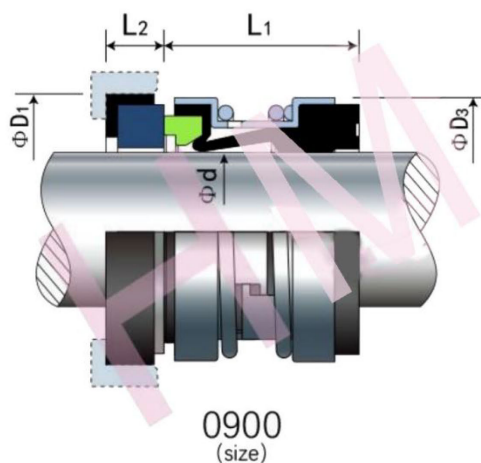
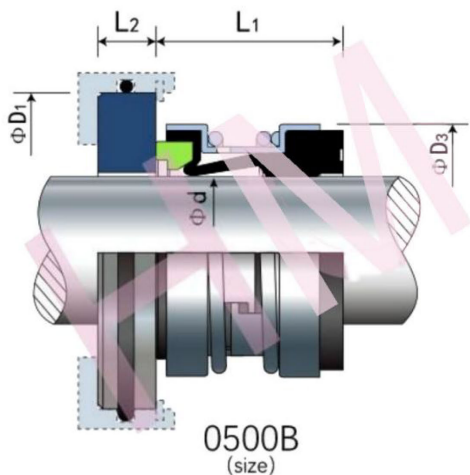
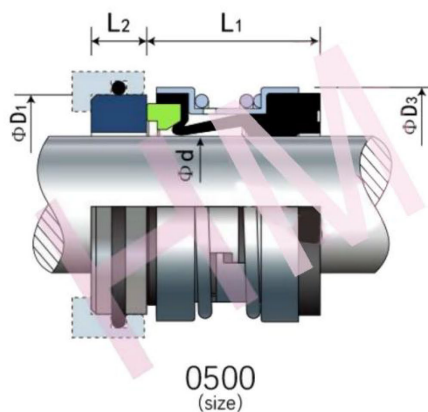
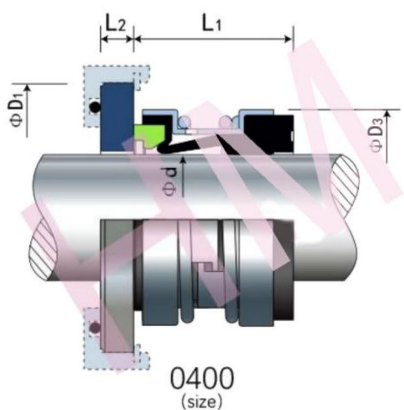


HMGD-04(B092XU)

Type: Suit for Godwin CD/HL Pumps
 Replacement: AES B092XU
 Temperature : -20°C to +120°C
 Pressure : ≤1.2Mpa
 Speed: ≤10m/s
 Material : B,A1,Q1,Q2,U2,P,E,N,V,F,G



Size	d (mm)	D1	D3	L1	L2
40	40	70.0	55	32.0	7.3
50	50	64.5	65	34.0	10.3
50B	50	90.0	65	34.0	13.0
90	90	115	113	47.6	14.0
Size	d (inch)	D1	D3	L1	L2
40	1.575	2.756	2.165	1.260	0.287
50	1.969	2.539	2.559	1.339	0.406
50B	1.969	3.543	2.559	1.339	0.512
90	3.543	4.528	4.449	1.874	0.551