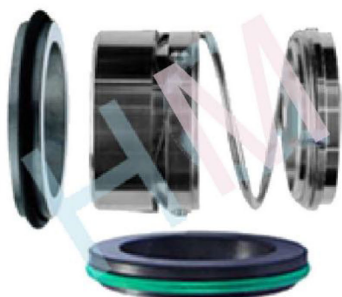
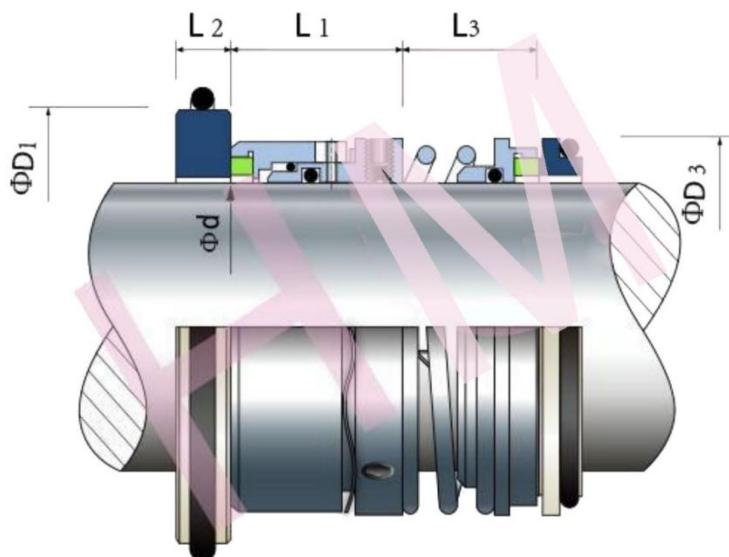


HMGD-02(1653D)



Type: Suit Godwin DRI-PRIME
Series pumps
Replacement: Vulcan 1653D
Temperature: -20°C to +120°C
Pressure: $\leq 1.0\text{Mp}$
Speed: $\leq 15\text{m/s}$
Material: B,A1,Q1,Q2,U2,P,E,N,V,F,G



d (mm)	D1	D2	L1	L2	L3
75	109.9	98	45.5	14.9	37