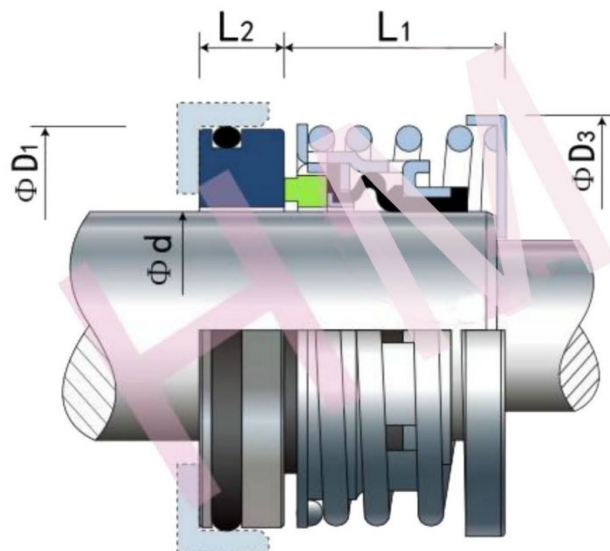


HMGMN-01(P02GU)



Type: GORMAN-RUPP T3/T4/T6
Pumps Seal
Replacement: AES P02GU
Temperature: -20°C to +120°C
Pressure : ≤ 1.4 Mpa
Speed: ≤ 15 m/s
Material : B,A1,Q1,Q2,U2,P,E,N,V,F,G



d (mm)	D1	D3	L1	L2
38.1	60.3	59.2	33.3	13.2
d (inch)	D1	D3	L1	L2
1.500	2.374	2.329	1.313	0.520