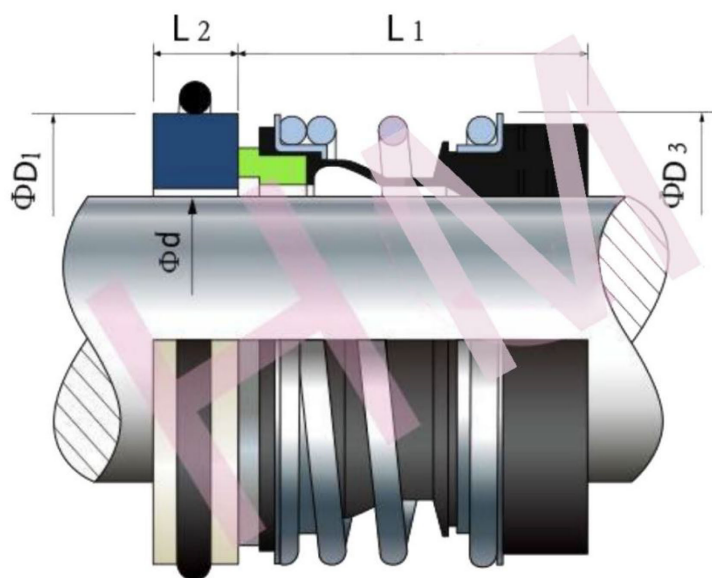


## HMHAI-06(144)



Type: KOLMEKS A-,L-,N-  
and T- pumps Seals  
Replacement: Vulcan 144  
Temperature: -20°C to +120°C  
Pressure:  $\leq 1.0$  Mpa  
Speed:  $\leq 15$  m/s  
Material : B,A1,Q1,Q2,U2,P,E,N,V,F,G



| d<br>(mm) | D1    | D3 | L1    | L2  |
|-----------|-------|----|-------|-----|
| 12        | 22.22 | 22 | 25.40 | 5.5 |
| 28        | 30.15 | 32 | 24.50 | 8.0 |
| 25        | 36.73 | 39 | 25.40 | 8.0 |
| 32        | 46.00 | 46 | 30.15 | 8.5 |
| 40        | 58.00 | 56 | 36.00 | 9.0 |