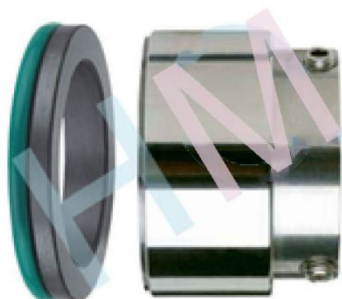


# HMHAI-10(M010X)



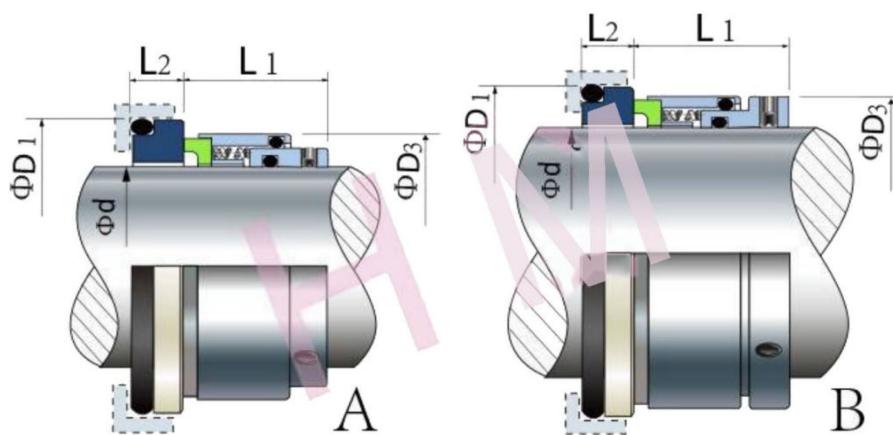
Type: Suit for Haigh MACI Pumps  
Replacement: AES M010X , Burgmann 477

Temperature: -40°C to +250°C

Pressure :  $\leq 1.2\text{Mpa}$

Speed:  $\leq 15\text{ m/s}$

Material: B, A1, Q1, Q2, U2, P, E, N, V, F, G



Type	d (mm)	D1	D3	L1	L2
A	42	62	59.0	33.9	10.1
B	70	92	87.3	36.5	11.3