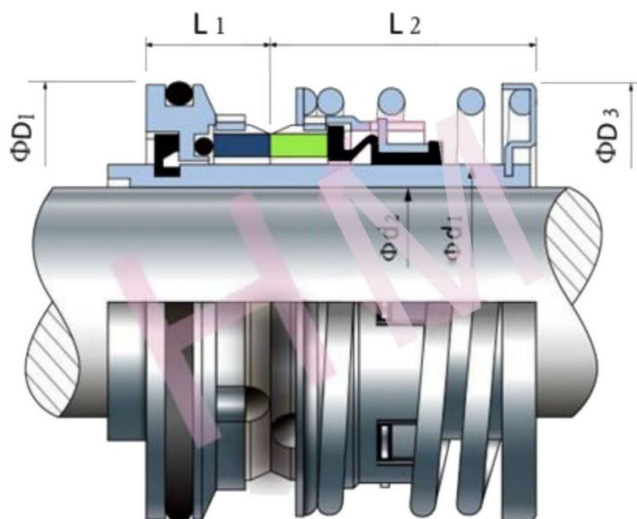


HMGMN-05



Type: GORMAN-RUPP Pumps Seal
 Temperature : -20°C to +120°C
 Pressure : ≤ 1.4 Mpa
 Speed : ≤ 15 m/s
 Material : B, A1, Q1, Q2, U2, P, E, N, V, F, G



d1	d2	D1	D3	L1	L2
38.1	31.75	60.3	60.1	17	36.5