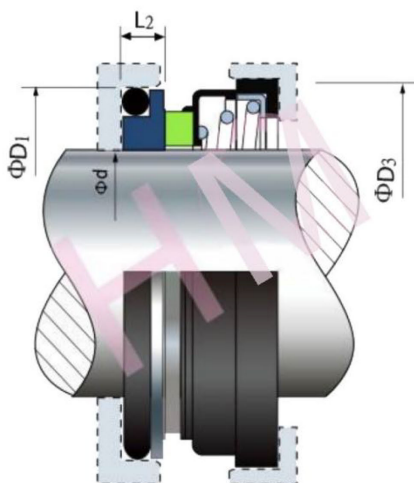


HMHAI-02(B06)



Type: Suit for Haigh Macerators
 Replacement: AES B06 , Vulcan 28,
 Flowerve MAC
 Temperature: -30°C to +200°C
 Pressure : $\leq 2.5\text{Mpa}$
 Speed: $\leq 15\text{m/s}$
 Material : F,B,Q2,V,P,E,G



d (mm)	D1	D3	L2
31.7		57.5	
44.4	67	70.0	7.5