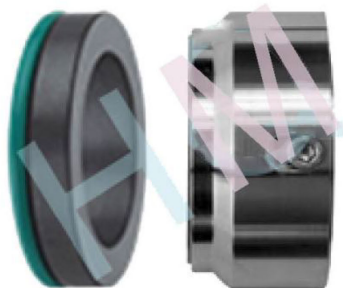


HMHAI-03(1620)



Type: Suit Haigh Macerators

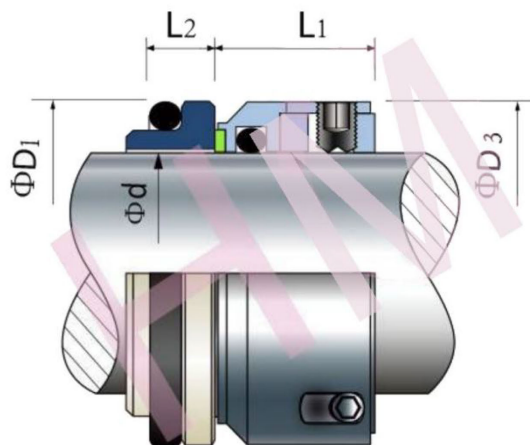
Replacement: Vulcan 1620

Temperature: -40°C to $+250^{\circ}\text{C}$

Pressure : $\leq 1.2\text{Mpa}$

Speed: $\leq 15\text{m/s}$

Material: B,A1,Q1,Q2,U2,P,E,N,V,F,G



d (mm)	D1	D3	L1	L2
42	62	65	30.15	14.1