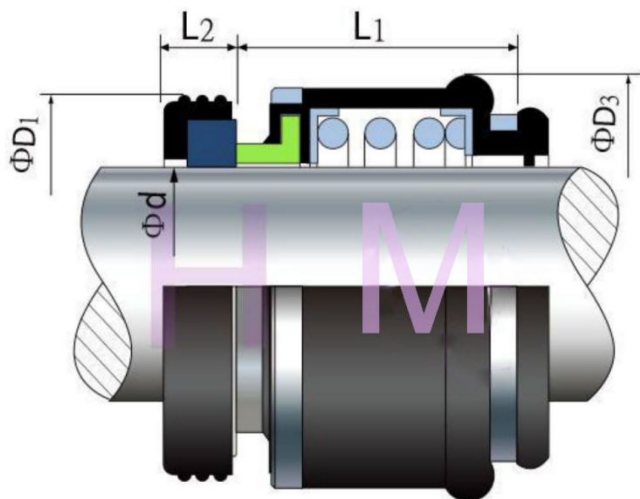


# HMHID-04



Type: Suit for HIDROSTAL Pumps  
 Replacement: Lidering HI , US VG-7087  
 Temperature: -40°C to +250°C  
 Pressure:  $\leq 2.5\text{Mpa}$   
 Speed:  $\leq 15\text{m/s}$   
 Material: B,A1,Q1,Q2,U2,P,E,N,V,F,G



d (mm)	d	D1	D3	L1	L2	L1K
28	28	44	50.0	30.0	10.0	40.0
35	35	54	64.0	35.5	10.0	45.5
50	50	70	74.5	45.2	12.2	57.4
d (inch)	d	D1	D3	L1	L2	L1K
1.125	28.575	44.450	50.0	30.0	11.1	41.0
1.500	38.100	53.975	66.0	35.5	10.0	45.5
2.000	50.800	69.850	75.5	45.2	13.0	58.2