

# HMHIL-06(8B...127)

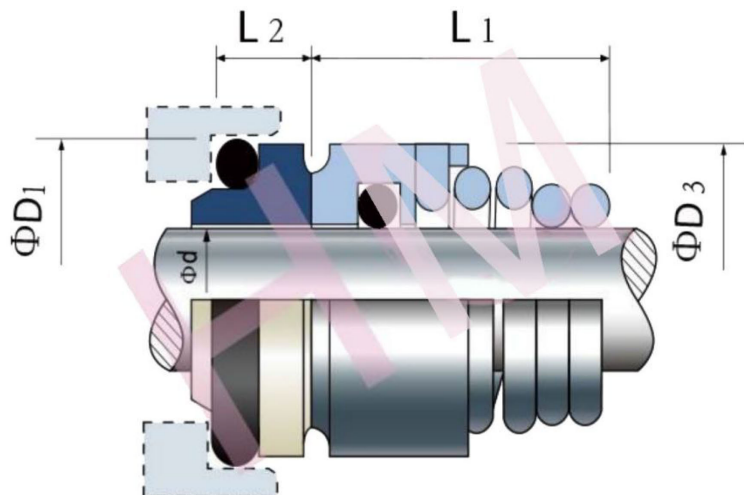
Type : Suit for Grundfos, Hilge centrifugal pumps  
 Replacement: Vulcan 8B , 8BU , 12 , 12S , 12H , 126 , 126L , 127。 Billi BB1

Temperature: -20°C to +180°C

Pressure :  $\leq 1.0\text{Mpa}$

Speed:  $\leq 15\text{m/s}$

Material : B,A1,Q1,Q2,U2,P,E,N,V,F,G



d (mm)	D1	D3	L1	L2	Vulcan Code	O.E.M. Seal Code
19	30.9	31	25.0	8.0	12	001-19 O3
19	30.9	31	25.0	8.0	12S	001-19 O5
19	35.0	31	20.0	9.5	8BU	002-19 O3
22	37.0	33	27.5	10.0	126	L1K-22 F3
28	43.3	40	29.0	9.0	12	001-28 O3
28	43.3	40	29.0	9.0	12H	001-28 A3
28	43.3	40	29.0	9.0	12S	001-28-O5
28	42.0	40	24.6	11.0	8B	002-28 O3
30	45.0	43	32.5	10.0	126	L1K-30 F3
30	45.0	43	32.5	10.0	126L	L1K-30 G3
30	45.0	43	40.0	10.0	127	L1K-30 D3
38	60.5	53	39.0	11.5	12	001-38 O3
38	55.0	53	31.0	11.5	8B	002-38 O3
40	58.0	56	34.0	13.0	126	L1K-40 F3
40	58.0	56	34.0	13.0	126L	L1K-40 G3
50	70.0	66	38.0	14.0	126	L1K-50 F3
50	70.0	66	38.0	14.0	126L	L1K-50 G3
50	70.0	66	43.0	14.0	8BU	1238-50 O3