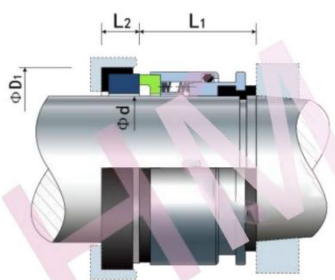
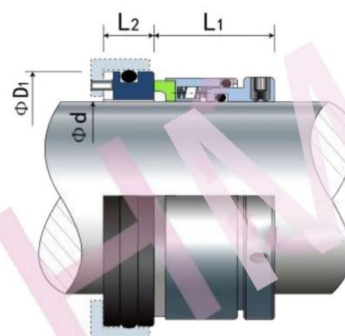


# HMHID-06(M010H)

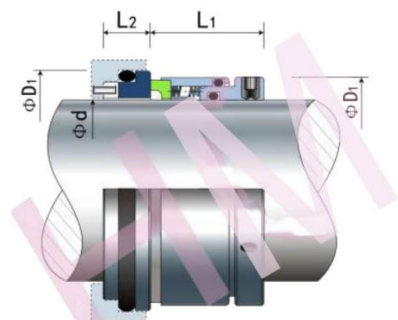
Type : Multi Spring Mechanical Seal, Suit for  
 Hidrostal G, M, N, X pump  
 Replacement: AES M010H  
 Temperature: -40 to +220°C  
 Pressure : ≤2.5 Mpa  
 Speed: ≤15m/s  
 Material: Q1, S, A, Q2, V, E, P, M5, M6, G1, T4, M



0286  
 0381  
 0508  
 (size)



0950  
 1000  
 (size)



1150  
 1200  
 (size)

d (mm)	D1	D3	L1	L2
28.6	44.4	-	32.6	10.6
38.1	53.9	-	34.7	11.1
50.8	69.8	-	45.3	12.7
95.0	112.8	-	123.8	17.4
100.0	119.1		123.8	17.4
115.0	142.9	134.9	36.5	12.5
120.0	142.9	141.3	36.5	12.5

d (inch)	D1	D3	L1	L2
1.125	1.750	-	1.283	0.417
1.500	2.125	-	1.366	0.437
2.000	2.750	-	1.783	0.500
3.740	4.439	-	4.875	0.685
3.937	4.689	-	4.875	0.685
4.527	5.625	5.312	1.437	0.492
4.724	5.625	5.563	1.437	0.492