

# HMHIL-04(T01KU)



Type: Suit for Hilge Maxa, Maxana Pumps

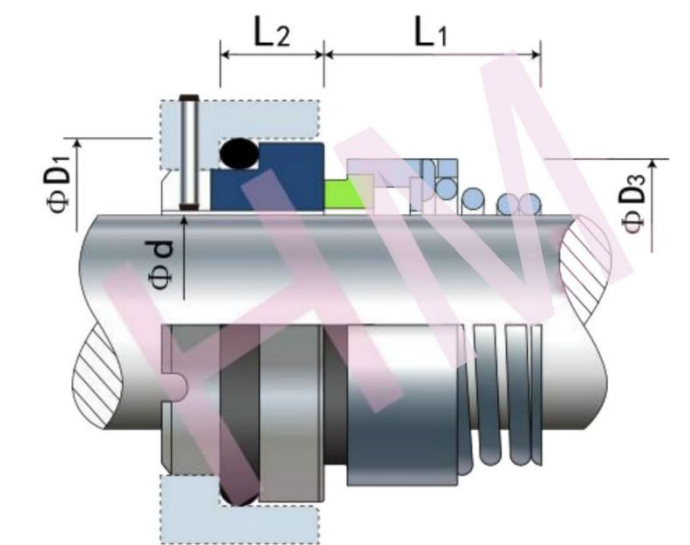
Replacement: AES T01LKU

Temperature: -20°C to +180°C

Pressure:  $\leq 1.0\text{Mp}$

Speed:  $\leq 15\text{m/s}$

Material: B, A1, Q1, Q2, U2, P, E, N, V, F, G



d (mm)	D1	D3	L1	L2
30	45	44	31.5	11.0
40	58	56	33.5	11.5
50	70	66	33.5	14.0
d (inch)	D1	D3	L1	L2
1.181	1.732	1.732	1.240	0.433
1.575	2.205	2.205	1.319	0.453
1.969	2.598	2.598	1.319	0.551