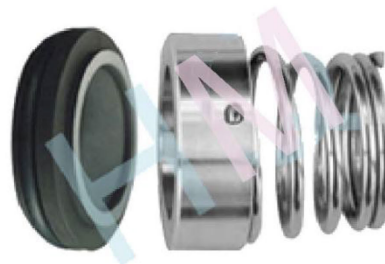
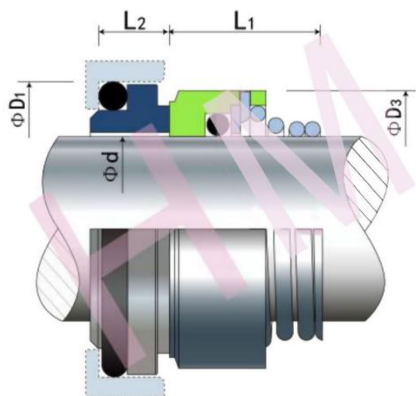


HMHIL-05(T03HU)

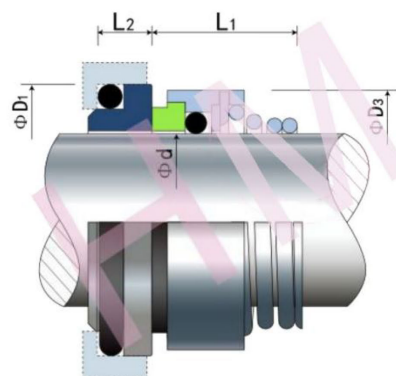
Type: Suit for Grundfos, Hige Pumps
 Replacement: AES T03HU
 Temperature: -40 to +200°C
 Pressure: ≤1.0Mpa
 Speed: ≤15m/s
 Material: B, Q2, U2, P, E, N, V, F, G, Alfa



Type A



Type B



d (mm)	D1	D3	L1	L2
19	30.9	32	25	8.0
28	43.3	42	29	9.0
38	60.5	54	39	11.5
d (inch)	D1	D3	L1	L2
0.748	1.217	1.260	0.984	0.315
1.102	1.705	1.654	1.142	0.354
1.496	2.382	2.126	1.535	0.453