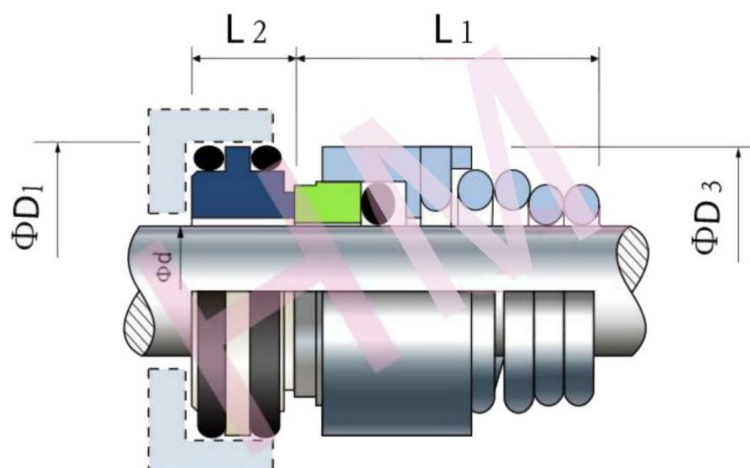


# HMHIL-07(128)



Type: Suit for Grundfos, Hilge c  
centrifugal Pumps  
Replacement: Vulcan 128 , Billi BB1S  
Temperature: -20°C to +180°C  
Pressure :  $\leq 1.0\text{Mpa}$   
Speed:  $\leq 15\text{m/s}$   
Material : B, A1, Q1, Q2, U2, P, E, N, V, F, G



d (mm)	D1	D3	L1	L2	O.E.M. Seal Code
19	39.3	31	20.0	10.8	OB3- 19 B3
28	47.3	40	26.5	11.3	OB3-28 B3
38	59.3	53	33.5	11.3	OB3-38 B3