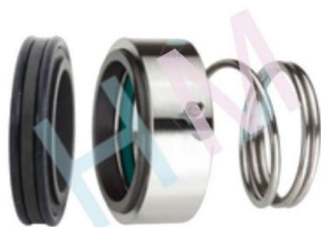
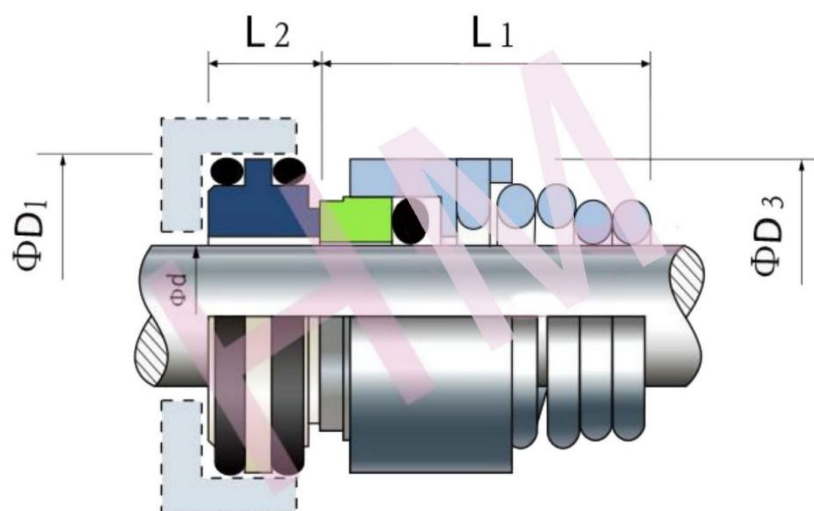


HMHIL- 15(T01LXSU)



Type: O-ring Mechanical Seal
 Replacement: AES T01LXSU
 Temperature: -20 to +140°C
 Pressure: $\leq 1.0\text{Mpa}$
 Speed: $\leq 15\text{m/s}$
 Material: B, Q2, U2, P, E, N, V, F, G, Alfa



d (mm)	D1	D3	L1	L2
19	35.0	32	20.0	15.0
28	41.3	42	24.5	15.5
d (inch)	D1	D3	L1	L2
0.748	1.378	1.260	0.787	0.591
1.102	1.626	1.654	0.965	0.610