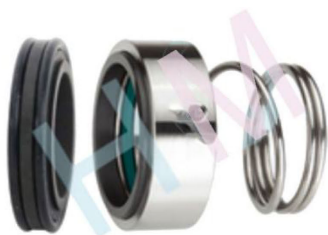


HMHIL- 13(T01LXU)



Type: O-ring Mechanical Seal

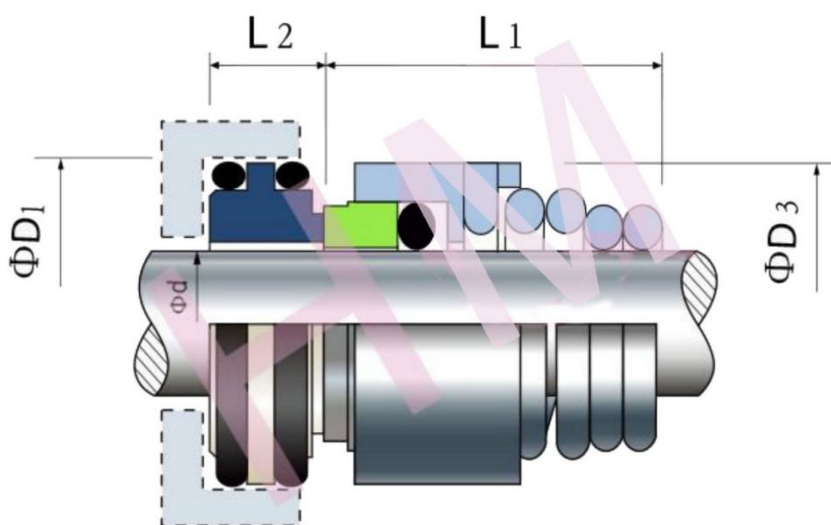
Replacement : AES T01 LXU

Temperature : -20 to +140°C

Pressure : $\leq 1.0\text{Mpa}$

Speed: $\leq 15\text{m/s}$

Material : B, Q2, U2, P, E, N, V, F, G, Alfa



d (mm)	D1	D3	L1	L2
19	39.3	31	20.0	15.0
28	47.3	40	24.5	15.5
d (inch)	D1	D3	L1	L2
0.748	1.220	1.260	0.787	0.591
1.102	1.575	1.654	0.965	0.610