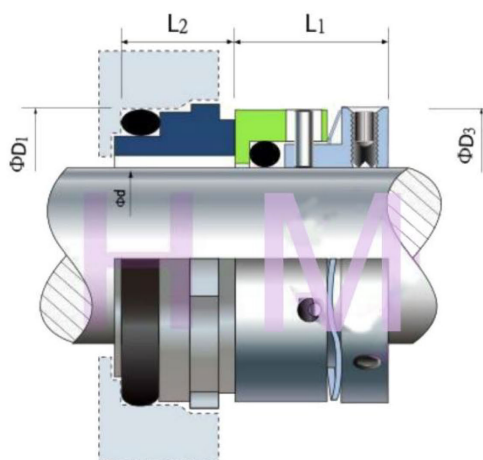


## HMHIL-08(W04U)



Type: Suit for Gundfos,Hilge Domina I Pumps  
 Replacement: AES W04U  
 Temperature: -40 to +200°C  
 Pressure:  $\leq 2.5$  Mpa  
 Speed:  $\leq 15$  m/s  
 Material : B,A1,Q1,Q2,U2,P,E,N,V,F,G,Alfa



d (mm)	D1	D3	L1	L2
30	40.0	41.0	19.1	9.3
35	44.5	45.5	19.1	9.2
50	62.0	61.9	21.1	10.4
70	85.0	88.9	25.8	14.1
80	95.0	101.0	25.8	16.2
d (inch)	D1	D3	L1	L2
1.181	1.575	1.614	0.752	0.366
1.378	1.752	1.791	0.752	0.362
1.969	2.441	2.437	0.831	0.409
2.756	3.346	3.500	1.016	0.555
3.150	3.740	3.976	1.016	0.638