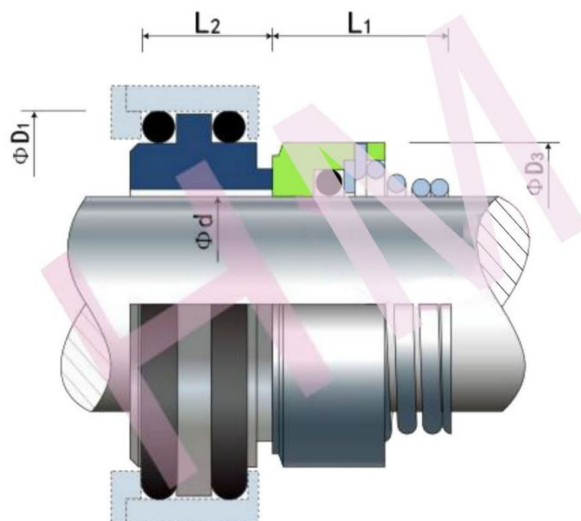


HMHIL- 16(T01LXSU)



Type: O-ring Mechanical Seal
 Replacement: AES T02LXSU
 Temperature: -20 to +140°C
 Pressure : ≤ 1.0 Mpa
 Speed: ≤ 15 m/s
 Material: B,Q2,U2,P,E,N,V,F,G,Alfa



d (mm)	D1	D3	L1	L2
19	35.0	32	20.0	15.0
28	41.3	42	24.5	15.5
d (inch)	D1	D3	L1	L2
0.748	1.378	1.260	0.787	0.591
1.102	1.626	1.654	0.965	0.610