

## HMJS-01(W06)



Type: Suit for Hilge Domina S and Johnson  
OnLine(OL) Series Lobe Rotor pumps

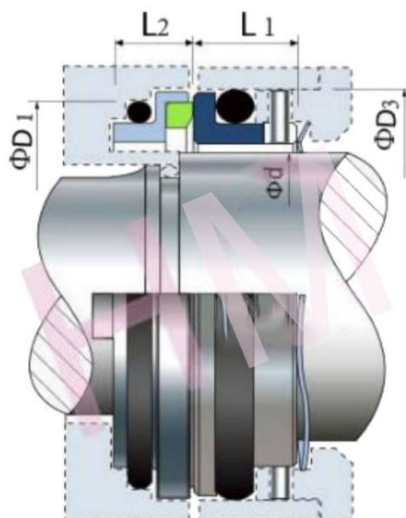
Replacement: AES W06, Vulcan 1650, BURGMANN  
HRZ60

Temperature: -20 to +150°C

Pressure :  $\leq 2.1$  Mpa

Speed:  $\leq 10$  m/s

Material: B, A1, Q1, Q2, U2, P, E, N, V, F, G, Alfa



d (mm)	D1	D3	L1	L2	O.E.M Pump Model
24	37.5	38	14.0	11.0	OL1
40	56.0	58	15.5	12.5	OL2
53	69.0	71	17.5	11.5	OL3