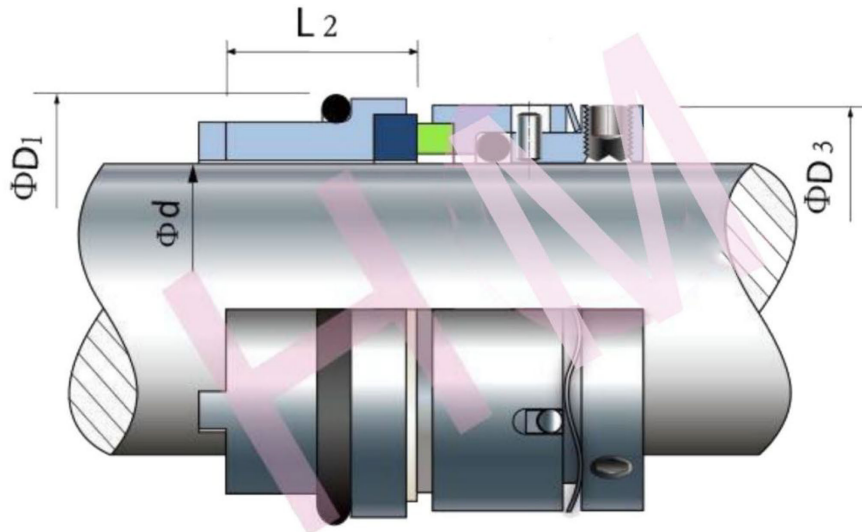


# HMIMO-04(1689)



Type: Suit I.M.O pumps  
 Replacement: Vulcan 1689  
 Temperature: -40°C to +250°C  
 Pressure : ≤1.2Mpa  
 Speed: ≤15m/s  
 Material : B,A1,Q1,Q2,U2,P,E,N,V,F,G



| d<br>(mm) | D1 | D2 | D3 | L2   |
|-----------|----|----|----|------|
| 22        | 35 | 33 | 38 | 23.5 |

