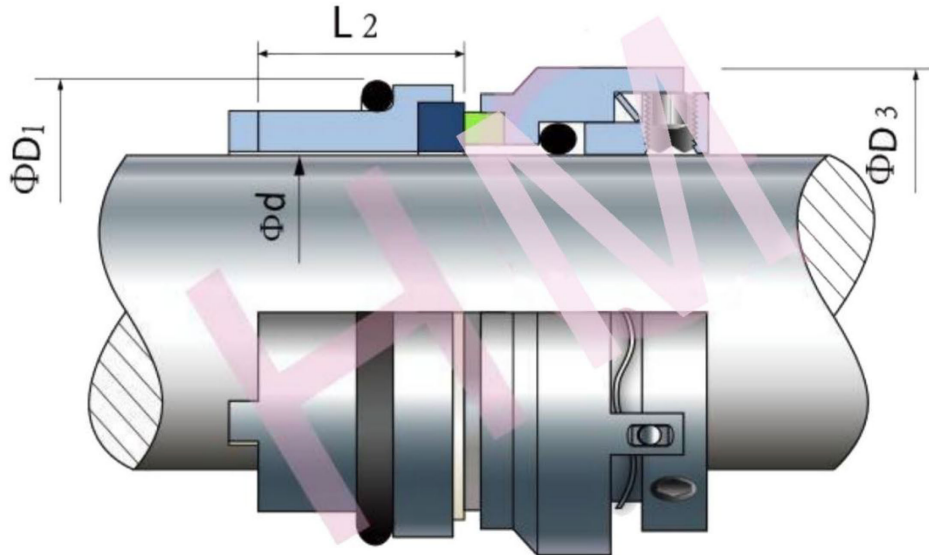


HMIMO-05(1690)



Type: Suit I.M .O.series pumps
 Replacement: Vulcan 1690
 Temperature: -40°C to +250°C
 Pressure : $\leq 1.2\text{Mpa}$
 Speed: $\leq 15\text{m/s}$
 Material : B,A1,Q1,Q2,U2,P,E,N,V,F,G



d (mm)	D1	D2	D3	L2
22	35	33	38	23.5

