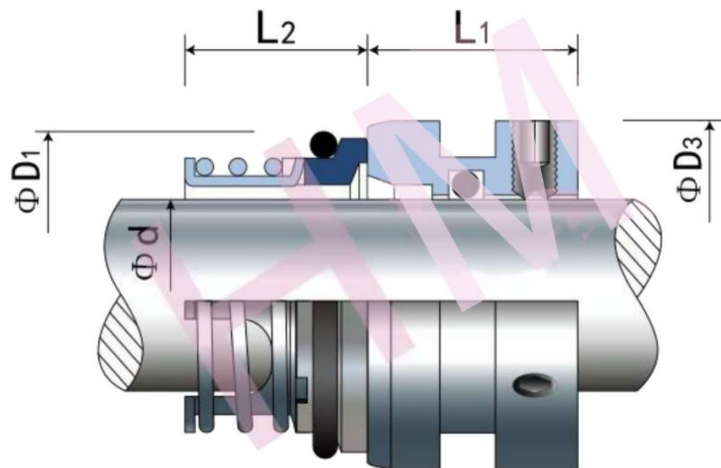


HMIMO-02



Type: Suit for IMO Pumps
Replacement: Suit IMO ACE3 Screw pumps
Temperature: -20 to +150°C
Pressure: $\leq 1.4\text{Mpa}$
Speed: $\leq 10\text{m/s}$
Material: B,A1,Q1,Q2,U2,P,E,N,V,F,G,Alfa



$d=22\text{mm}$

