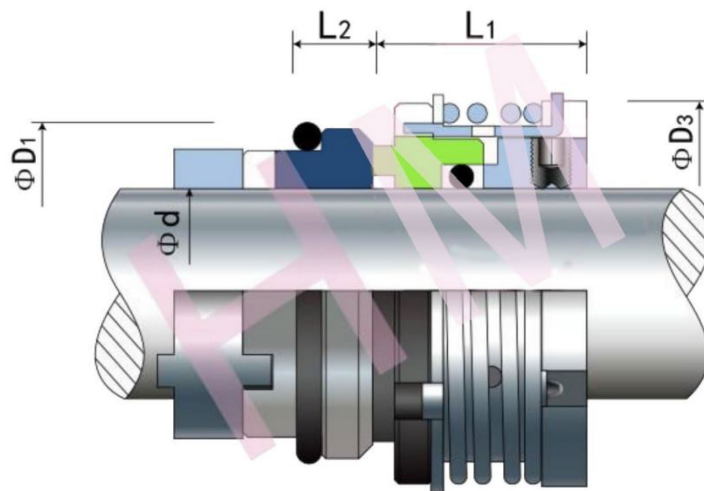


HMAL-21



Type: ALFA LAVAL ,IMO ACE3 Pump Seal
 Replacement: LIDERING AL-N-22
 Temperature: -20 to +120°C
 Pressure : ≤ 1.6 Mpa
 Speed: ≤ 10 m/s
 Material : A,B,Q1,Q2,U1,U2,T,V,Graphite,T6,F,G,M



It is equal to LIDERING AL-N-22,
 Suit for IMO ACE3 Screw pumps.

d=22mm.

