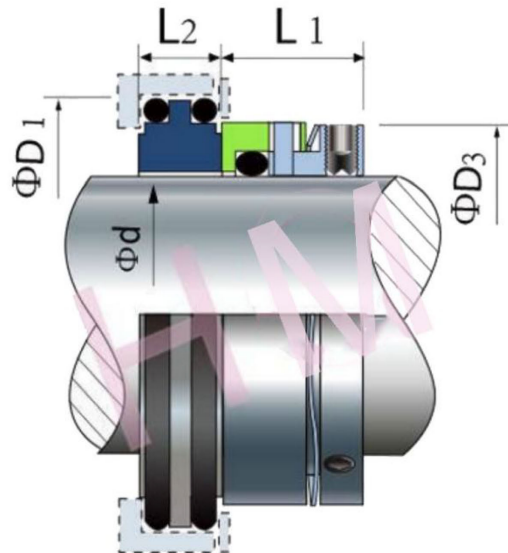


# HMINO-01(W011)



Type: Suit for Inoxpa Prolac R,M25  
Blender, SLR, TLS Pumps  
Replacement: AES W011, Vulcan 1683  
Temperature: -40°C to +200°C  
Pressure :  $\leq 0.8\text{Mpa}$   
Speed:  $\leq 18\text{m/s}$   
Material : B,A1,Q1,Q2,U2,P,E,N,V,F,G



d (mm)	D1	D3	L1	L2
28	45	39.0	19.1	12
35	53	45.5	19.1	12
50	70	63.5	23.0	12
65	90	82.3	25.8	14

