

HMJS-01(W06)



Type: Suit for Hilge Domina S and Johnson
OnLine(OL) Series Lobe Rotor pumps

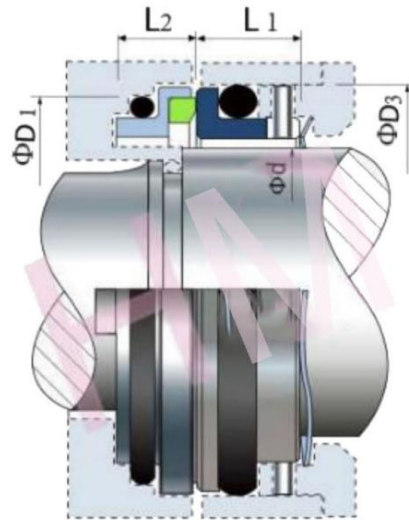
Replacement: AES W06, Vulcan 1650, BURGMANN
HRZ60

Temperature : -20 to +150°C

Pressure : ≤ 2.1 Mpa

Speed: ≤ 10 m/s

Material : B, A1, Q1, Q2, U2, P, E, N, V, F, G, Alfa



d (mm)	D1	D3	L1	L2	O.E.M Pump Model
24	37.5	38	14.0	11.0	OL1
40	56.0	58	15.5	12.5	OL2
53	69.0	71	17.5	11.5	OL3

