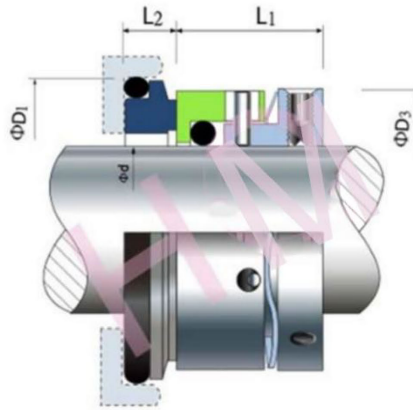


HMAL-38(W01)

Type: Suit for Alfa Laval SSP AP,GP,NDM and Johnson Pumps
 Replacement: AES W01
 Temperature: -20°C to +200°C
 Pressure: ≤0.8Mpa
 Speed: ≤18m/s
 Material : A,B,U1,U2,V,G,M5



d (mm)		D1		D3		L1		L2	
mm	inch	mm	inch	mm	inch	mm	inch	mm	inch
15.8	0.622	28.6	1.126	27.0	1.063	19.1	0.752	6.3	0.248
16.0	0.63	28.6	1.126	27.0	1.063	19.1	0.752	6.3	0.248
19.1	0.752	31.7	1.248	30.0	1.181	19.1	0.752	6.3	0.248
24.0	0.945	35.4	1.394	34.1	1.343	19.1	0.752	0.6	0.299
28.0	1.102	42.0	1.654	40.0	1.575	19.1	0.752	0.6	0.299
28.6	1.126	41.2	1.622	39.5	1.555	19.1	0.752	0.6	0.299
30.0	1.181	42.7	1.681	41.0	1.614	19.1	0.752	0.6	0.299
31.7	1.248	44.2	1.74	42.4	1.669	19.1	0.752	0.6	0.299
32.0	1.26	44.4	1.748	42.4	1.669	19.1	0.752	0.6	0.299
34.9	1.374	47.6	1.874	45.5	1.791	19.1	0.752	0.6	0.299
35.0	1.378	47.6	1.874	45.5	1.791	19.1	0.752	0.6	0.299
38.0	1.496	53.9	2.122	51.8	2.039	21.1	0.831	8.1	0.319
38.1	1.500	53.9	2.122	51.8	2.039	21.1	0.831	8.1	0.319
44.4	1.748	60.3	2.374	58.2	2.291	21.1	0.831	8.1	0.319
47.6	1.874	63.5	2.500	61.4	2.417	21.1	0.831	8.1	0.319
50.0	1.969	63.9	2.516	61.9	2.437	21.1	0.831	8.1	0.319
50.8	2.000	66.6	2.622	64.6	2.543	22.1	0.870	9.6	0.378
53.9	2.122	73.0	2.874	71.0	2.795	22.1	0.870	9.6	0.378
54.0	2.126	73.9	2.909	71.0	2.795	22.1	0.870	9.6	0.378