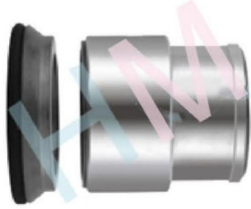


HMHi-02(M010S2)

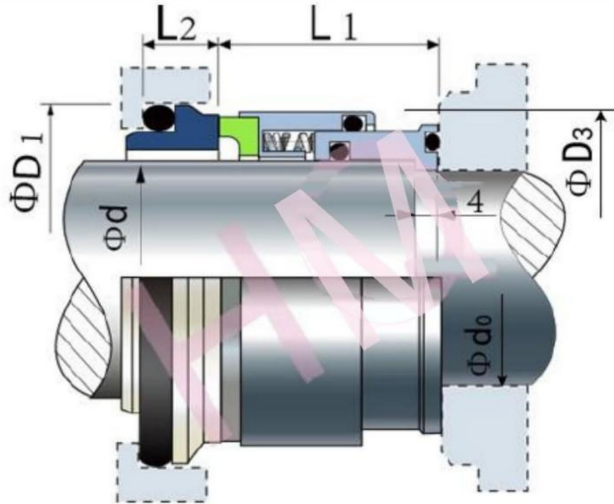


Type: Suit for Grundfos, Hilge Euro-Hygia centrifugal Pumps
 Replacement: AES M010S2 , Burgamnn SHJ97 , Vulcan 1663A , Billi BB8H3A, ROTEN EHS3

Temperature: -40°C to +250°C

Pressure: ≤ 2.5 Mpa
 Speed: ≤ 15 m/s

Material : B, A1, Q1, Q2, U2, P, E, N, V, F, G



d (mm)	d0	D1	D3	L1	L2	Vulcan Code	O.E.M. Seal Code
28.0	24.0	48.0	43.0	38.0	10.5	1663A	BS3-28 O1

