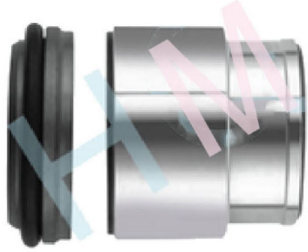


# HMHi-03(M010S3)



Type: Suit for Grundfos, Hilge Euro-HYGIA, Panda, Sipia centrifugal Pumps

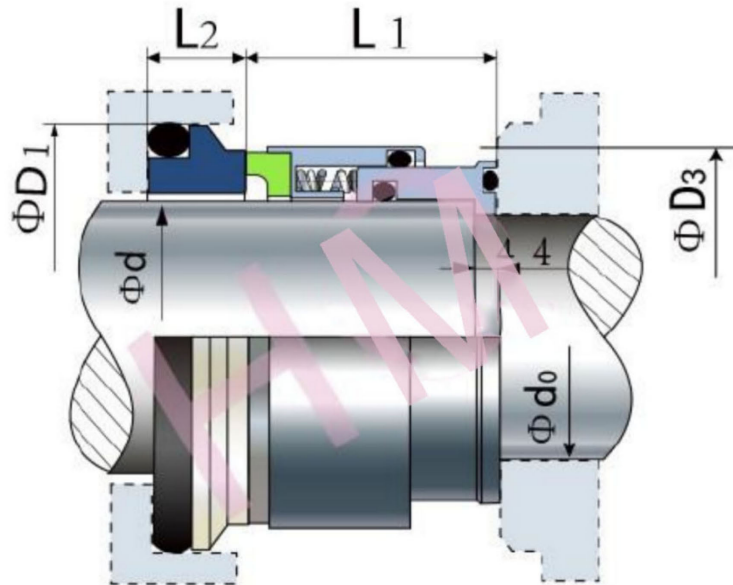
Replacement: AES M010S3 , Burgamnn SHJ97, Vulcan 1662 , Billi BB8HA2, ROTEN EHS3

Temperature : -40°C to +250°C

Pressure:  $\leq 2.5$  Mpa

Speed:  $\leq 15$  m/s

Material : B, A1, Q1, Q2, U2, P, E, N, V, F, G



d (mm)	d0	D1	D3	L1	L2	Vulcan Code	O. E. M. Seal Code
19	16	30.9	33.5	29	8.0	1662	001-19 O1
28	24	43.3	43.0	33	9.0	1662	001-28 O1
28L	24	43.3	43.0	33	9.0	1662L	001-28 A1
38	35	60.5	52.8	43	11.5	1662	001-38 O1

