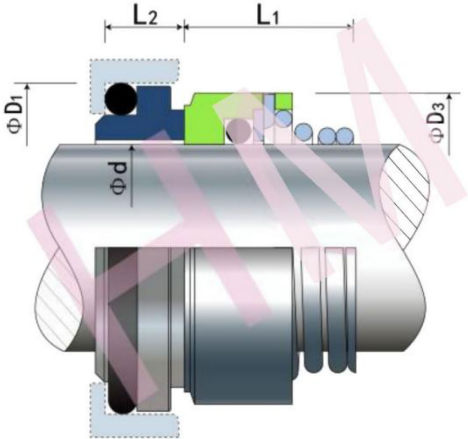


# HMINO-04(T03U)

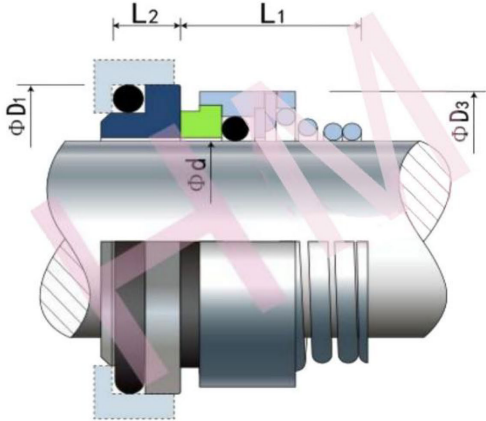
Type : O-Ring Mechanical Seal  
 Replacement: AES T03 U  
 Temperature: -20 to +140°C  
 Pressure:  $\leq 1.4\text{Mpa}$   
 Speed:  $\leq 10\text{m/s}$   
 Material : B,Q2,U2,P,E,N,V,F,G,Alfa



Type A



Type B



| d<br>(mm)   | D1    | D3    | L1    | L2    |
|-------------|-------|-------|-------|-------|
| 25          | 38.2  | 39    | 2     | 8.5   |
| d<br>(inch) | D1    | D3    | L1    | L2    |
| 0.984       | 1.504 | 1.535 | 1.063 | 0.335 |