

# HMJC-07(W015)



Type: Suit for Jabsco Hy-Line LH520 and LH540

Pumps, and Tuchenhagen VPSH, VPSU Pumps

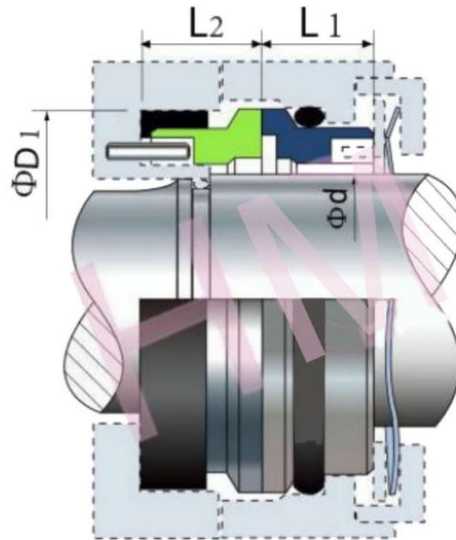
Replacement: AES W015

Temperature: -40 to +240°C

Pressure:  $\leq 1.4\text{Mpa}$

Speed:  $\leq 10\text{m/s}$

Material: B, Q2, U2, P, E, N, V, F, G, Alfa



d (mm)	D1	L1	L2
25.0	37.0	12.3	11.1
34.9	48.0	12.5	11.5
47.6	60.3	13.7	12.7

