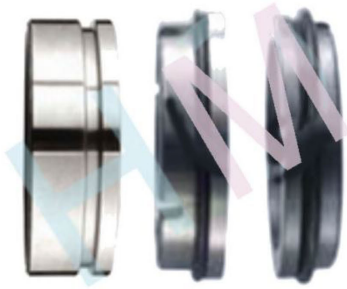
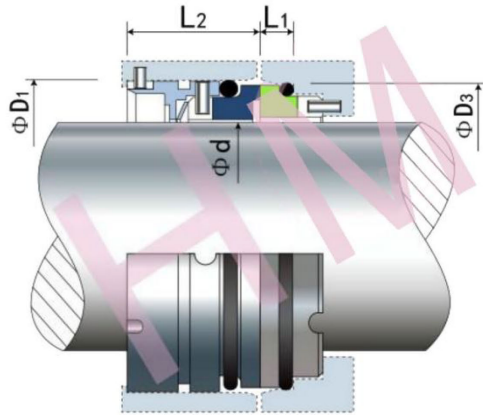


HMJS-04(W017U)



Type: Suit for Johnson TopWing(TW)2 (Pumps
 Replacement: AES W17U
 Temperature: -40°C to +200°C
 Pressure : ≤ 0.6 Mpa
 Speed : ≤ 20 m/s
 Material: B, A1, Q1, Q2, U2, P, E, N, V, F, G, Alfa



d (mm)	D1	D3	L1	L2
30	44.2	43.4	6.2	29.0
48	65.0	66.4	8.1	27.9
d (inch)	D1	D3	L1	L2
1.181	1.740	1.709	0.244	1.142
1.890	2.559	2.614	0.319	1.098

